



Main Features

- 360° positioning of the thermometer dial
- For thermometers with smooth immersion tube without process connection
- Welded or threaded
- Stainless steel (1.4571 / 316Ti)

Applications

- HVAC
- Water & waste water
- Energy
- Machinery

Technical Data

Max. Temp. °C	Max. Pressure (bar)
100	250
250	160
400	125
650	100

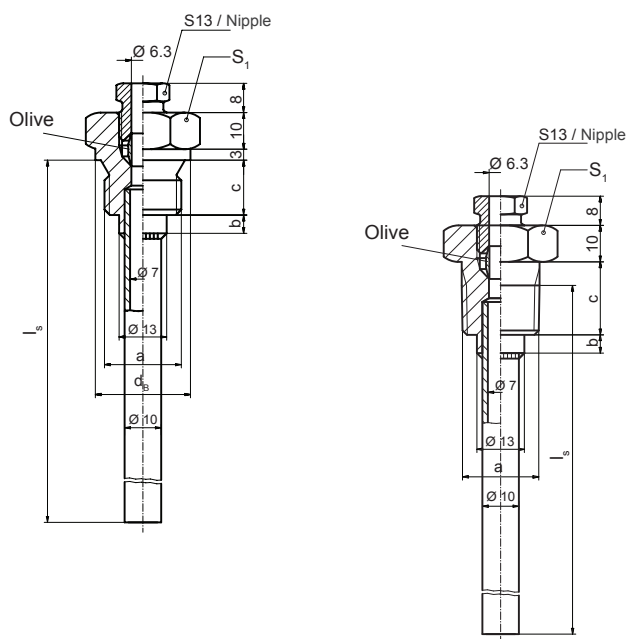
Spare parts

	Ordering code
Nipple	T 08404.0004
Olive	T 08405.0004

New olive and nipple have to be used to replace a thermometer in an installed thermowell.

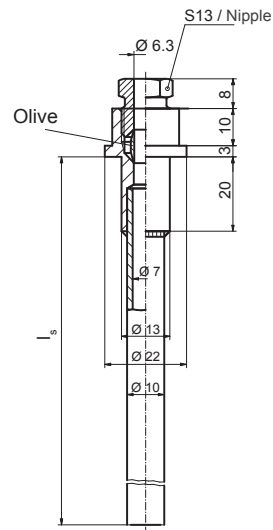
Thermowells with threaded connection

Model	T 09346 . xxxx
Thermowell with threaded connection	T 09346
Process connection and material	
G½	Stainless steel 1.4571 (316Ti) 03
G¼	Stainless steel 1.4571 (316Ti) 06
¾" -14 NPT	Stainless steel 1.4571 (316Ti) 09
Installed length	
l _s = 100 mm	01
l _s = 160 mm	02
l _s = 250 mm	03
l _s = 400 mm	04
l _s = 600 mm	05
l _s = 1000 mm	06



Thermowells with welded connection

	T 09367	.	xxxx
Model	Thermowell with welded connection T 09367		
Material	Stainless steel 1.4571 (316Ti) 02		
Installed length			
$l_s = 100$ mm	01		
$l_s = 160$ mm	02		
$l_s = 250$ mm	03		
$l_s = 400$ mm	04		
$l_s = 600$ mm	05		
$l_s = 1000$ mm	06		



Dimensions (in mm) and weights

Thread a	Measurement				Weight in kg					
	c	d _B	S _i	b	$l_s = 100$ mm	160 mm	250 mm	400 mm	600 mm	1000 mm
G $\frac{1}{2}$	15	26	27	7	0.125	0.160	0.190	0.240	0.300	0.430
G $\frac{3}{4}$	16	32	32	6	0.190	0.220	0.250	0.300	0.360	0.495
$\frac{3}{4}$ " -14 NPT	21	-	32	4	0.190	0.220	0.250	0.300	0.360	0.495
Welded thermowells	-	-	-	-	0.080	0.110	0.150	0.200	0.290	0.400